



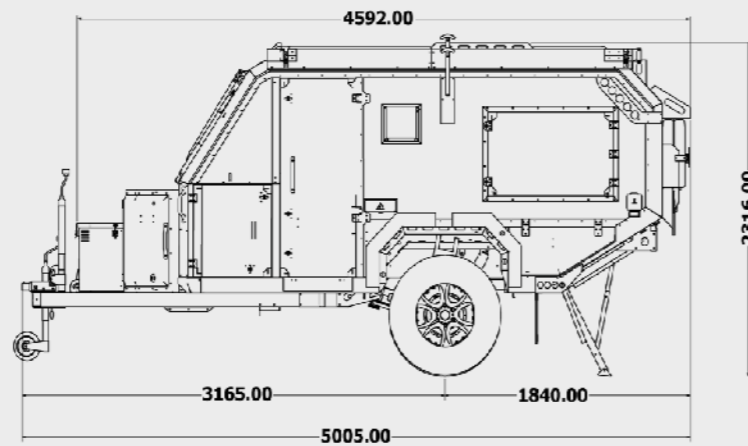
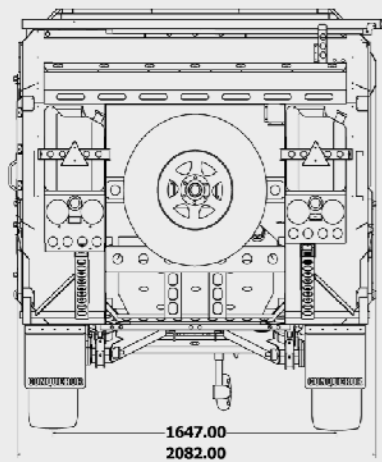
AU spec
UEV-490

- > ST
- > PLATINUM ESSENTIAL
- > SIGNATURE



SPECIFICATIONS

			
ST	Dimensions (l x w x h) 5005 x 2082 x 2316	Tare (unladen) 1,500-1,700kg Ball Weight 170kg	Payload: 450kg Aggregate Trailer Mass: 2,250kg
PLATINUM ESSENTIAL	Dimensions (l x w x h) 5005 x 2082 x 2316	Tare (unladen) 1,500-1,700kg Ball Weight 170kg	Payload: 450kg Aggregate Trailer Mass: 2,250kg
SIGNATURE	Dimensions (l x w x h) 5005 x 2082 x 2316	Tare (unladen) 1,500-1,700kg Ball Weight 150kg	Payload: 420kg Aggregate Trailer Mass: 2,250kg



For more information

02 4912 9256

37 Blue Gum Road
Jesmond NSW 2299

sales@conqueroraustralia.com.au

conqueroraustralia.com.au



The UEV-490 is Conqueror's flagship model featuring all the essentials, comforts and luxuries for off-road enthusiasts that want the toughest hybrid caravan to take on their adventures.

With enough space to sleep a full family or some friends, this unique hybrid accommodates a comfortable amount of storage with accessibility from the inside and out.

Pull up to a location and get access to the fridge and pantry or just sleep without any setup required.

conqueroraustralia.com.au

FEATURES

- > 1 QUEEN BED
+ 1 DOUBLE / 2 SINGLE
- > OFF-ROAD INDEPENDENT
SUSPENSION
- > SHOWER, VANITY + WASH BASIN
- > SLIDE OUT KITCHEN
+ FRIDGE / FREEZER

LIVE FOR THE JOURNEY, NOT THE DESTINATION!

Need a TOUGH TRAILER to take you on your next adventure?

STANDARD INCLUSIONS

EFFECTIVE 19TH MAY 2021

	ST	PLATINUM	SIGNATURE
CHASSIS & SUSPENSION			
Spare wheel carrier serving as emergency stub axle	✓	✓	✓
Spare wheel x 1	✓	✓	✓
Heavy duty shock absorbers and coils	✓	✓	✓
12 Off road electric drum brakes	✓	✓	✓
245 / 70R16 6 stud pattern steel rims	✓	✓	
285 / 75R16 / Matching 6 stud pattern alloy rims			✓
33" Mud terrain off-road tyres			✓
Removable jockey wheel	✓	✓	✓
Heavy duty nose cone		✓	✓
D035 V3 Off road hitch	✓	✓	✓
Hot dipped galvanized full RHS box section chassis	✓	✓	✓
Full independent patented suspension	✓	✓	✓
2 x Front stabiliser arms		✓	✓
High-lift jacking points (Adaptor Required)	✓	✓	✓
Adjustable rear stabilisers	✓	✓	✓
Mud flaps	✓	✓	✓
LED tail lights	✓	✓	✓
Military grade bump stops	✓	✓	✓
Load Assist air bag suspension			✓

	ST	PLATINUM	SIGNATURE
WATER			
Water tanks - 135L	✓	✓	✓
Electric water pump	✓	✓	✓
Gas hot water system		✓	
Flush mount water flow meter		✓	✓
Webasto diesel hot water system with in cab heater			✓

	ST	PLATINUM	SIGNATURE
ACCESSORIES			
6 x Eyelets for tie downs	✓	✓	✓
2 x Tie down straps	✓	✓	✓
Axe and spade with dedicated mounting points		✓	✓
Touch up paint	✓	✓	✓

	ST	PLATINUM	SIGNATURE
STORAGE			
Aluminium nose box storage	✓	✓	✓
2 x Mil spec nato jerry cans and holders		✓	✓
2 x canvas multi pockets fitted on main doors	✓	✓	✓
10 x Internal cupboards with canvas doors	✓	✓	✓
3 x Internal recessed dual shelving pantry with internal / external access	✓	✓	✓
Multiple internal tie down points	✓	✓	✓
2 x External lockable storage compartments	✓	✓	✓
2 x Rear storage compartments	✓	✓	✓

	ST	PLATINUM	SIGNATURE
TENTS & AWNINGS			
Insulated roof	✓	✓	✓
Rip stop canvas bed sock	✓	✓	✓
Rally style canvas kitchen awning	✓		
Midgye netting on all doors & windows	✓	✓	✓
180 Batwing kitchen awning (2.5m x 6.6m)		✓	✓
PVC Tropical fly roof over front bed	✓	✓	✓
1 x Mesh groundsheet		✓	✓
Ropes & pegs	✓	✓	✓

	ST	PLATINUM	SIGNATURE
COMFORT & SLEEPING			
Front fold out bed (Sleeps up to five)	✓	✓	✓
King size rear bed convertible to lounge dinette table (Accommodates 5 People)	✓	✓	✓
Webasto diesel in-cabin heater			✓
Military spec compact 12v air conditioner			✓

	ST	PLATINUM	SIGNATURE
KITCHEN & COOKING			
Slide out kitchen & fridge unit	✓	✓	✓
Smev 2 burner stainless steel stove	✓	✓	✓
Twin wash basins with domestic hot/cold mixer	✓	✓	✓
Cutlery and crockery in designated holders	✓	✓	✓
82L Dual zone stainless steel fridge/freezer		✓	
Mil spec aluminium powder coated camping table (6 Seater)		✓	✓
National Luna 90L fridge freezer unit			✓

	ST	PLATINUM	SIGNATURE
BATTERY & POWER SYSTEMS			
240-12V Battery management system	✓	✓	✓
1 X 120 AH AGM battery	✓		
2 x 120 AH AGM battery		✓	
2 x 120 AH Lithium batteries			✓
15 Amp 240v charging extension lead	✓	✓	✓
3 x 12V outlets	✓	✓	✓
Dual USB charging outlet	✓	✓	✓
50 Amp Anderson plug (Regulated)	✓	✓	✓
50 Amp DC-DC Anderson (Unregulated)		✓	✓
2 x External LED lights (mounted)	✓	✓	✓
2 x Internal fans	✓	✓	✓
360W Redarc Solar Panel		✓	✓
Platinum lighting package (2x reading lights, 3 x internal lights + 50% brighter)			✓
3 x internal lights + 50% brighter		✓	✓
2 x 240 GPO			✓
1000W Inverter		✓	✓
REDARC BMS 30		✓	
REDARC REDVISION Total Management BMS			✓
Mongoose GPS tracker			✓
Trailer breakaway system	✓	✓	✓

	ST	PLATINUM	SIGNATURE
ENTERTAINMENT			
Mini bar holder fitted inside door	✓	✓	✓
Multimedia package: Hi DEF 19" TV/DVD/USB media player on a 360° swing arm / telescopic dish omni style antenna			✓
4 x surround sound speakers - AM/FM antenna			✓
200w AM/FM CD receiver w/ Bluetooth & streaming			✓

	ST	PLATINUM	SIGNATURE
OTHER			
Interior pressurising fan to keep dust out	✓	✓	✓
Fire extinguisher	✓	✓	✓
Carpet on floor	✓	✓	✓
Gas struts for easy roof lifting	✓	✓	✓
2 x 4kg gas bottles		✓	✓
Smart key-a-like locks	✓	✓	✓

	ST	PLATINUM	SIGNATURE
BATHROOM			
Slide out stainless steel vanity basin with storage	✓	✓	✓
Hot & cold mixer taps	✓	✓	✓
Storage integrated shower unit (hot option extra) with hot & cold mixer shower rose.	✓	✓	✓
Quick Pitch En Suite shower			
ON-Suite awning / totally enclosed room			✓

*Prices and specifications are subject to change without any prior notice

STANDARD PRICING

UEV-490 ST	\$61,990
UEV-490 PLATINUM ESSENTIAL	\$74,990
UEV-490 SIGNATURE	\$99,990

FOR OPTIONAL EXTRAS / ADD ONS
SPEAK TO YOUR SALES REPRESENTATIVE

FINANCE AVAILABLE!

