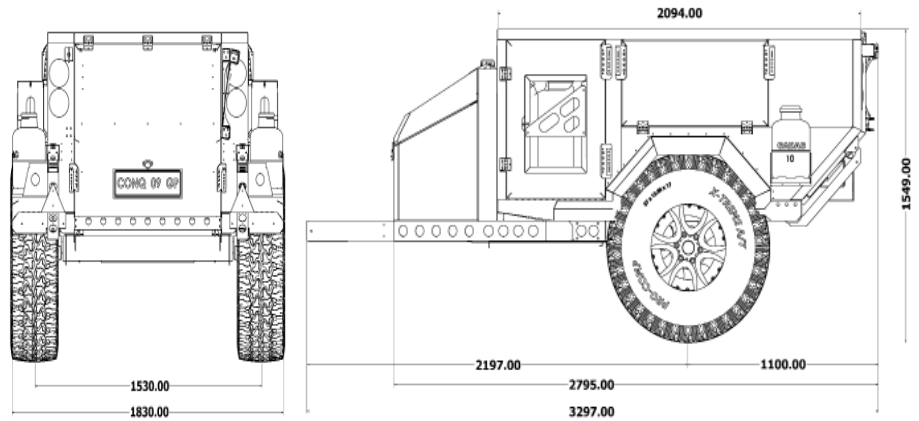


2021

SPECIFICATION SHEET

UEV-310 Lightning V2

EFFECTIVE 01 JAN 2021



Dimensions (l x w x h)
3297 x 1830 x 1549



Tare (unladen) 880kg
Ball Weight 100kg



Payload: 520kg
Aggregate Trailer Mass: 1,400kg

Standard Inclusions

CHASSIS & SUSPENSION

- > Spare wheel carrier
- > Spare wheel
- > Hot dipped galvanized chassis
- > High-lift jacking points
- > 2 x Heavy duty support legs fitted at rear
- > Mud flaps
- > LED Tail lights
- > Removable jockey wheel
- > 1.4 Tonne independent suspension
- > 50mm ALKO coupler & safety chains
- > ALKO mechanical override brakes
- > 245/70R16 x 3
- > 16inch Alloy Rims

WATER

- > Water tanks - 90L
- > Gravity fed water tap
- > Pressurised hot/cold tap
- > Gas hotwater system

- > High pressurised water pump

BATTERY & POWER SYSTEMS

- > 240-12V Battery Management System
- > 1 x 105 Ah AGM battery
- > 15 Amp 240v charging extension lead
- > 50 Amp Anderson plug
- > 2 x USB charging outlets
- > 2 x 12V outlets

STORAGE

- > Nose box storage
- > 2 x Mil spec nato jerry can holders
- > Wolf pack frame with 4 x wolf pack boxes
- > Underbed storage shelf
- > Tent pole storage

KITCHEN & COOKING

- > 2 Burner Stove
- > Fridge sliding rail

Anodized BBQ Grill to fit spare wheel

- > Wash basins x 2
- > Kitchen table
- > 4kg gas bottle and holder

TENT & AWNINGS

- > Mesh to all doors & windows
- > Shower cubicle
- > 30 Second Electric Tent
- > Batwing Awning with Storage Rack System

OTHER

- > Fire extinguisher
- > Gas strut assisted nose box and rear door
- > Smart key-a-like locks
- Platinum Lighting Package

SHOW SPECIALS
\$ 5,000.00 OFF

NOW
\$31,990.00
Offer Ends 06/05/2020

CONQUERORAUSTRALIA.COM.AU



NEWCASTLE
02 4912 9256

NSW

sales@conqueroraustralia.com.au



2021
Order Sheet



Date: _____

UEV-310 Lightning

Delivery Month: _____

Customer: _____

Address: _____

Tow Vehicle: _____ Year: _____

Mobile: _____

Vehicle Plug: _____

Email: _____

Optional Customisations	Price	Qty	Order
Remote water pickup with filter - to collect water from a nearby stream	\$ 650.00		
Portable auto flush toilet	\$ 449.00		
2 Way stainless steel bench, BBQ holder, twin wash basin holder	\$ 495.00		
600w 240v Inverter	\$ 499.00		
Ampfibian 10-15apm adaptor (waterproof with circuit breaker)	\$ 199.00		
150w Roof mounted solar panel	\$ 1,295.00		
140w Fold out solar panel	\$ 595.00		
90L National Luna fridge/freezer	\$ 2,890.00		
66L Dual zone Stainless Steel fridge/freezer	\$ 2,100.00		
19" HDTV/ DVD/ USB Media Player (Mounted on 360 Degree Swing Arm)	\$ 1,190.00		
Cutlery, crockery & utensils set	\$ 379.00		
Mesh ground sheet (5.6m x 2.4m)	\$ 249.00		
Wolfpack box	\$ 75.00		
Additional AGM 105Ah Deep Cycle Battery	\$ 650.00		

Base Price (inc GST): \$ 37,990.00

Comments:

_____	On Roads Cost :	_____
_____	Customisations:	_____
_____	Total Due:	_____
_____	20% Deposit:	_____
_____	Balance Due:	_____

Dealer Representative: _____

Dealer Signature: _____

Customer Signature: _____

Payment schedule is as follows:

*\$500 holding deposit is required on date of order to secure the agreed purchasing price (customers only)

*30% deposit is required upfront to allocate stock

*Further 20% of remaining balance to be paid when the container lands in Australia (approximately 6 weeks)

*Final payment of 50% is due one week prior to pickup of trailer

*Orders cannot be changed 30 days prior to completion date

*Specifications and pricing are subject to change without prior notice

*Signatures from both the dealer and customer are required to confirm this

*Plus On-Roads Cost \$ 1,570.00