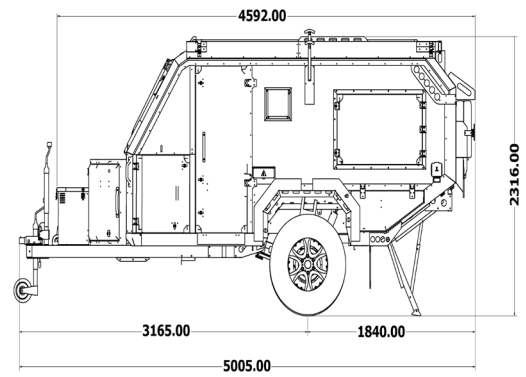
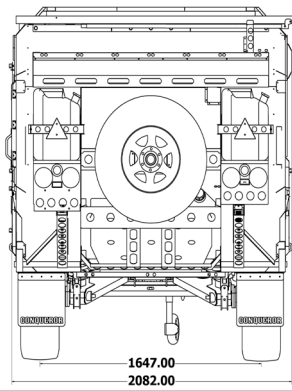


2019

SPECIFICATION SHEET

UEV-490 PLATINUM

EFFECTIVE 23 JAN 2019



Dimensions (l x w x h)
5005 x 2082 x 2316



Tare (unladen) 1,500kg
Ball Weight 150kg



Payload: 450kg
Aggregate Trailer Mass: 1,950kg

Standard Inclusions

CHASSIS & SUSPENSION

- > Spare wheel carrier serving as emergency stub axle
- > Spare wheel X 1
- > 33" Mud terrain off-road tyres 285/75R16 6 Stud pattern alloy Rims
- > Heavy duty shock absorbers and coils
- > Removable jockey wheel
- > Heavy duty nose cone
- > D035 V3 Off road hitch
- > 12" Off-road electric drum brakes
- > Hot dipped galvanized full RHS chassis
- > Full independent patented suspension
- > 2 x Front stabiliser arms
- > High-lift jacking points (Addaptor Required)
- > Adjustable Rear stabilisers
- > Mud flaps
- > LED Tail lights

WATER

- > Water tanks - 135L
- > Webasto diesel hot water system with in cab heater
- > Electric water pump
- > Flush mount water flow meter

BATTERY & POWER SYSTEMS

- > Enerdrive 40 Amp DC-DC BMS with solar input
- > 240-12V Battery management system
- > Dual 105 Ah AGM batteries
- > 320w Roof mounted solar
- > 15 Amp 240v charging extension lead
- > 50 Amp DC-DC Anderson plug (Unregulated)
- > 50 Amp Anderson plug (Regulated)
- > Dual USB charging outlet

- > 3 x 12V outlets
- > 2 x External LED lights
- > 2 x Internal Fans
- > Platinum lighting package (2x reading lights, 2 x internal lights + 50% brighter)

STORAGE

- > Aluminium nose box storage
- > 2 x Mil spec nato jerry cans and holders
- > 2 x canvas multi pockets fitted on main doors
- > 10 x Internal cupboards with canvas doors
- > 3 x Internal recessed dual shelving pantry with internal/external access
- > Multiple Internal tie down points
- > 2 x Rear storage compartments

KITCHEN & COOKING

- > 66L Dual zone stainless steel fridge/freezer
- > Slide out kitchen & fridge unit
- > Smev 2 burner stove
- > Twin wash basins with Dometic hot/cold mixer
- > Cutlery and crockery in designated Holders
- > Mil spec aluminium powder coated camping table (6 Seater)

BATHROOM

- > On suite totally Inclosed for privacy
- > Slide out vanity basin with under sink storage
- > Integrated shower rose with hot/cold water

TENT & AWNINGS

- > 180 Batwing kitchen awning
- > Rip stop canvas bed sock
- > Midgy netting on all doors & windows
- > PVC Tropical fly roof over front bed
- > 1x Groundsheet
- > Ropes & pegs

COMFORT & SLEEPING

- > Sleeps up to five (front fold out bed)
- > Lounge dinette table (converts to multi configuration bed)

ACCESSORIES

- > 2 X Tie down straps
- > 6 X Eyelets for tie downs
- > Axe and spade with dedicated mounting points

ENTERTAINMENT

- > Multi Media package - Hi DEF 19" TV/ DVD with USB media player on a 360 degree swing arm - telescopic dish omni style antenna - 200w AM/FM CD receiver with bluetooth - 4 x surround sound speakers - AM/FM antenna
- > Mini bar bottle holder fitted inside door

OTHER

- > Interior pressurising fan to keep dust out
- > Fire Extinguisher
- > 2 x 4kg gas bottles
- > Carpet on floor
- > Gas struts for easy roof lifting
- > Smart key-a-like locks

FREE UPGRADES

WiTi (GPS/ Tracking / Security Alarm)

\$1000.00

CONQUERORAUSTRALIA.COM.AU



NEWCASTLE
02 4912 9256

NSW

QLD

TAS

VIC

WA



2019
Order Sheet



Date: _____

Delivery Month: _____

UEV-490 PLATINUM

Customer: _____

Address: _____

Tow Vehicle: _____ Year: _____

Mobile: _____

Vehicle Plug: _____

Email: _____

Optional Customisations	Price	Qty	Order
Extended Draw bar and nose cone (extra 330mm)	\$ 1,850.00		
High lift jack adapter	\$ 140.00		
1000w 240v Inverter	\$ 1,639.00		
600w 240v Inverter	\$ 599.00		
Amphibian 10-15amp adaptor (waterproof with circuit breaker)	\$ 199.00		
Upgrade (From 66L SnowMaster) To 90L National Luna fridge / freezer Dual Zone	\$ 1,190.00		
Anodised BBQ grill to fit spare wheel	\$ 225.00		
Microwave Oven 650amp (With Double GPO point supplied)	\$ 799.00		
canvas wall kit to suite the 180 batwing Awning (kitchen) inc draft skirts + all windows + midgey mesh	\$ 3,750.00		
Military spec airconditioner (Includes 2000w 60 amp AC Charger + 2 Additional 105 amp AGM batteries)	\$ 14,000.00		
Caravan cover	\$ 350.00		
Front Bed Extension	\$ 590.00		
Conqueror Dual bed cover set	\$ 699.00		
Remote water pickup with filter - to collect water from a nearby stream	\$ 650.00		
Mesh ground sheet (5.6m x 2.4m)	\$ 249.00		
Stainless steel work bench - fits over the washer basin mount (440x490mm)	\$ 330.00		
Portable auto flush toilet	\$ 449.00		
GVM Upgrade To 2200KG	\$ 2,950.00		

Comments:

	Base Price (inc GST):	\$ 86,950.00
	Customisations:	
	Total Due:	
	20% Deposit:	
	Balance Due:	

Dealer Representative: _____

Dealer Signature: _____

Customer Signature: _____

Payment schedule is as follows:

*\$500 holding deposit is required on date of order to secure the agreed purchasing price (customers only)

*20% deposit is required upfront to allocate stock

*Further 20% of remaining balance to be paid when the container lands in Australia (approximately 6-8 weeks)

*Final payment of 60% is due one week prior to pickup of trailer

*Orders cannot be changed 30 days prior to completion date

*Specifications and pricing are subject to change without notice

*Signatures from both the dealer and customer are required to confirm this Order