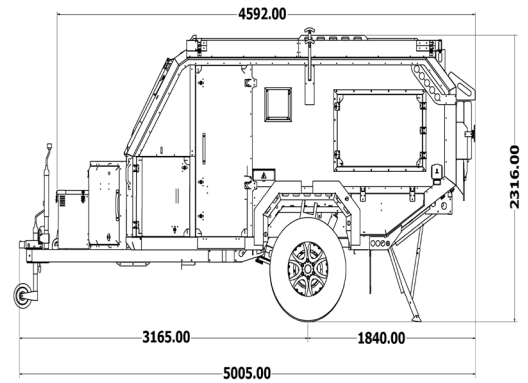
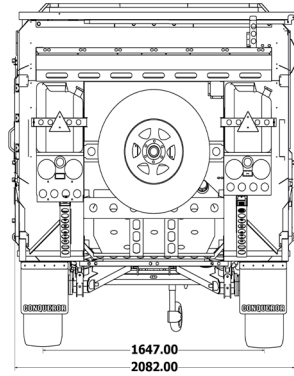


2019

SPECIFICATION SHEET

UEV-490 ST

EFFECTIVE 1ST JAN 2019



Dimensions (l x w x h)
5005 x 2082 x 2316



Tare (unladen) 1,350kg
Ball Weight 140kg



Payload: 450kg
Aggregate Trailer Mass: 1,800kg

Standard Inclusions

CHASSIS & SUSPENSION

- > Spare wheel carrier serving as emergency stub axle
- > Spare wheel X 1
- > 245/70R16 6 Stud Steel Rims
- > AL-KO Off Road Breaking System
- > Hot dipped galvanized full RHS box section chassis
- > High-lift jacking points (Addaptor Required)
- > Removable jockey wheel
- > Adjustable Rear stabilisers
- > Full independent patented suspension
- > Heavy duty shock absorbers and coils
- > LED Tail lights
- > Mud flaps

Water

- > Water tanks - 135L
- > Electric water pump

Battery & Power Systems

- > 240-12V Battery Management System
- > 1 X 105 Ah AGM battery
- > 15 Amp 240v charging extension lead
- > 50 Amp Anderson plug
- > Dual USB charging outlet
- > 3 x 12V outlets
- > 2 x External LED lights Mounted
- > 2 x Internal Fans

STORAGE

- > Aluminium nose box storage
- > 2 x canvas multi pockets fitted on main doors
- > 10 x Internal cupboards with canvas doors
- > 3 x Internal recessed dual shelving
- > Pantry with dual internal/external access
- > Internal tie down points
- > 2 x External Lockable storage compartments

KITCHEN & COOKING

- > Slide out kitchen & fridge unit
- > Cutlery & Crockery in Designated Holders
- > Smev 2 burner stove
- > Twin wash basins and domestic taps hot/cold mixer

BATHROOM

- > Slide out Stainless Steel vanity basin With Under Sink Storage
- > Hot & Cold mixer Taps
- > Integrated shower unit (Hot option extra) With Hot & Cold mixer Shower Rose.

TENT & AWNINGS

- > Insulated Roof
- > Rip stop canvas bed sock
- > Rally Style Canvas Kitchen Awning
- > Midgey netting on all doors & windows
- > PVC Tropical fly over front bed

COMFORT & SLEEPING

- > Sleeps up to five (fold out front bed)
- > Lounge dinette table (converts to multi configuration bed)

ACCESSORIES

- > Eyelets for tie downs

ENTERTAINMENT

- > Mini bar bottle holder fitted inside door

OTHER

- > Interior pressurising fan to keep dust out
- > Fire Extinguisher
- > Carpet on floor
- > Gas struts for easy roof lifting
- > Smart key-a-like locks

FREE UPGRADES

WiTi (GPS / Tracking / Security System)

16" Alloy Rims

Rally Style Bathroom Awning

Upgrades Value

\$3,350.00

CONQUERORAUSTRALIA.COM.AU



NEWCASTLE
02 4912 9256

NSW

QLD

TAS

VIC

WA



Optional Customisations	Price	Qty	Order
Heavy Duty Nose cone	\$ 1,500.00		
Extended Draw bar Nose Cone (Extra 330mm)	\$ 1,850.00		
33" Mud terrain tyre upgrade 285/75R16	\$ 1,050.00		
16" Alloy Rims	\$ 900.00		
High lift jack adapter X 1	\$ 160.00		
Front stabiliser arm X 1	\$ 170.00		
Additional Drawbar Anderson Plug	\$ 250.00		
D035 off Road V3 hitch	\$ 550.00		
12" Off-Road Electric Brakes	\$ 2,500.00		
Additional Drawbar Anderson Plug	\$ 250.00		
Webasto Diesel Hotwater System With In Cab Heater	\$ 6,495.00		
Remote Water Pickup to Collect Water From Nearby Stream	\$ 650.00		
Portable Auto Flush Toilet	\$ 499.00		
Gas Hot Water System	\$ 1,595.00		
Conqueror Dual bed set	\$ 699.00		
Tie Down Straps X 2 & Locking Point Rings X 6	\$ 90.00		
Front Bed Extension	\$ 590.00		
Anodised BBQ grill to fit spare wheel	\$ 225.00		
Caravan Cover X 1	\$ 350.00		
Mil Spec Nato Jerry Cans X 2	\$ 140.00		
Mil Spec Aluminium Powder coated Camping Table (6 Seater)	\$ 495.00		
Multi media package - 19" TV/HD/DVD Media Player - Mounted on 360 Degree swing arm - Bluetooth stereo system - Surround sound speakers - AM/FM CD Receiver - 360 degree omni telescopic antenna	\$ 2,500.00		
SnowMaster 66 Ltr Daul Zone Fridge (Upgrade To NAT LUNA 90 Ltr Dual Zone for Additional \$ 1,100.00)	\$ 1,800.00		
Microwave Oven 650 amp + 240V Outlet	\$ 799.00		
Platinum Lighting Package ((2 X Reading Lights, 2 X Internal Lights) 50% Brighter)	\$ 750.00		
Enerdrive 40 amp DC-DC BMS System With Solar Input	\$ 750.00		
320w Enerdrive Solar With MPPT	\$ 1,900.00		
600W 240V Inverter (Other Sizes Available On Request)	\$ 599.00		
Amphibian 10-15 amp Adaptor (Waterproof With Circuit Breaker)	\$ 199.00		
105AH AGM Battery X 1	\$ 595.00		
Stainless Steel Work Bench - Fits Over The Washer Basin Mount X 1	\$ 330.00		
180 Batwing Kitchen Awning	\$ 2,950.00		
Wall Kit To Suite The 180 Batwing Awning (Kitchen) inc draft Skirts + All Windows + Migeey Mesh	\$ 3,750.00		
Rally Style Bathroom Awning PVC	\$ 1,450.00		
Bathroom Wall Kit	\$ 1,450.00		
Mesh Ground Sheet (5.6m X 22.4m) X1	\$ 249.00		
2 X 4Kg Gas Bottles	\$ 130.00		
AXE and Spade (Mounted)	\$ 160.00		

DATE	Base Price (inc GST):	\$ 61,950.00
NAME	Customisations:	
MOBILE	Total Due:	
E-MAIL ADDRESS	20% Deposit:	
TOW VEHICLE	Balance Due:	
VEHICLE PLUG		
DELIVERY DATE		

Dealer Representative: _____

Dealer Signature: _____

Customer Signature: _____

Payment schedule is as follows:

*\$500 holding deposit is required on date of order to secure the agreed purchasing price (customers only)

*20% deposit is required upfront to allocate stock

*Further 20% of remaining balance to be paid when the container lands in Australia (approximately 6 weeks)

*Final payment of 60% is due one week prior to pickup of trailer

*Orders cannot be changed 30 days prior to completion date

*Specifications and pricing are subject to change without prior notice

*Signatures from both the dealer and customer are required to confirm this order.