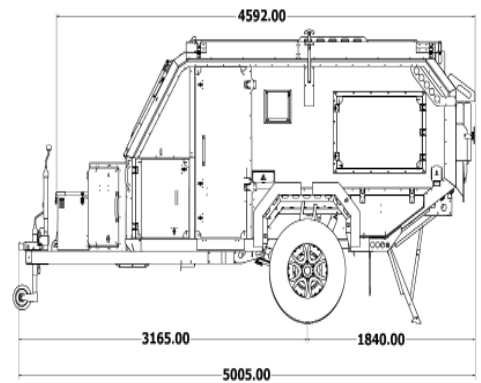
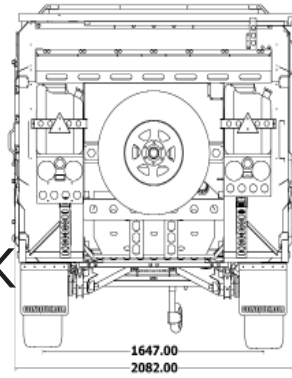


2018

SPECIFICATION SHEET

UEV-490 CAPE YORK

EFFECTIVE 1ST JULY 2018



2316.00



Dimensions (l x w x h)
5005 x 2082 x 2316



Tare (unladen) 1,500kg
Ball Weight 150kg



Payload: 450kg
Aggregate Trailer Mass: 1,950kg

Standard Inclusions

CHASSIS & SUSPENSION

- > Spare wheel carrier serving as emergency stub axle
- > Spare wheel
- > 6 Stud pattern standard
- > Hot dipped galvanized full RHS box section chassis
- > High-lift jacking points
- > Rear trailer stabilisers
- > Mud flaps
- > LED Tail lights
- > Removable jockey wheel
- > Full independent patented suspension with trailing arms
- > Heavy duty shock absorbers and coils
- > D035 V2 Coupler and dual safety chains
- > 12" Off-road electric drum brakes
- > Heavy duty nose cone
- > 245/70R16 x 3
- > 16inch Alloy Rims
- > 1 x Front stabiliser arm

WATER

- > Water tanks - 135L
- > Gas hot water system
- > Electric water pump

BATTERY & POWER SYSTEMS

- > 240-12V Battery Management System
- > Dual 105 Ah AGM batteries
- > 15 Amp 240v charging extension lead
- > 50 Amp DC-DC Anderson plug - Nato style charging from vehicle

- > 50 Amp Anderson plug acc/port
- > Dual USB charging outlet
- > 3 x 12V outlets
- > 2 x External LED lights
- > 2 x Internal Fans

STORAGE

- > Aluminium nose box storage
- > 2 x Mil spec nato jerry cans and holders
- > 2 x canvas multi pockets fitted in main doors
- > 10 x Internal cupboards with canvas doors
- > 3 x Internal recessed dual shelving
- > Pantry with dual internal/external access
- > Storage compartment under vanity basin
- > Internal tie down points
- > 2 x Rear storage compartments

KITCHEN & COOKING

- > Slide out kitchen & fridge unit
- > Domestic stainless steel 2 burner stove
- > Twin wash basins and domestic taps hot/cold mixer
- > Cutlery and crockery in designated drawers
- > Mil spec aluminium powder coated camping table (6 Seater)

BATHROOM

- > Slide out vanity basin unit
- > Stainless steel wash basin and domestic taps hot/cold mixer

- > Integrated shower unit hot/cold mixer tap

TENT & AWNINGS

- > 180 Batwing kitchen awning
- > Rally style awning to bathroom
- > Rip stop canvas bed sock
- > Midgey netting to all doors & windows
- > PVC Tropical fly to front bed
- > Ropes & pegs

COMFORT & SLEEPING

- > Sleeps up to five (fold out front & internal multi configuration bed)
- > Internal dinette table (converts to internal bed)

ACCESSORIES

- > Tie down straps
- > Eyelets for tie downs
- > Axe and spade with dedicated mounting

ENTERTAINMENT

- > Mini bar bottle holder fitted inside door

OTHER

- > Fire Extinguisher
- > 2 x 4kg gas bottles
- > Carpet on floor
- > Interior pressurising fan to keep dust out
- > Gas struts for easy roof lifting
- > Smart key-a-like locks

CONQUERORAUSTRALIA.COM.AU



NEWCASTLE
02 4912 9256

NSW

QLD

TAS

VIC

WA



2018
Order Sheet



Date: _____

Delivery Month: _____

UEV-490 CAPE YORK

Customer: _____

Address: _____

Tow Vehicle: _____ Year: _____

Mobile: _____

Vehicle Plug: _____

Email: _____

Optional Customisations	Price	Qty	Order
Extended Draw bar and nose cone (extra 350mm)	\$ 1,850.00		
33" Mud terrain tyre upgrade 285/75R16 x 3	\$ 1,050.00		
High lift jack adapter	\$ 160.00		
Front stabiliser arm	\$ 170.00		
Webasto diesel hotwater system plumbed in	\$ 5,495.00		
Webasto diesel hotwater system with in cab heater plumbed in	\$ 6,495.00		
Remote water pickup with filter - to collect water from a nearby stream	\$ 650.00		
Flush mount water flow meter	\$ 550.00		
Portable auto flush toilet	\$ 449.00		
Enerdrive 40 Amp DC-DC BMS with ePro monitor full battery management system with DC-DC solar input	\$ 1,200.00		
1000w 240v Inverter	\$ 1,639.00		
600w 240v Inverter	\$ 499.00		
200w Roof mounted solar panels (2x100w)	\$ 1,495.00		
Upgrade to 320w Enerdrive solar (2x160w) from 200w Solar	\$ 660.00		
Amphibian 10-15amp adaptor (waterproof with circuit breaker)	\$ 199.00		
Front Bed Extension	\$ 590.00		
Conqueror Dual bed cover set	\$ 699.00		
90L National Luna fridge/freezer	\$ 2,890.00		
66L Dual Zone fridge/freezer	\$ 1,800.00		
Anodised BBQ grill to fit spare wheel	\$ 225.00		
Microwave Oven 650amp	\$ 695.00		
Rally style bathroom wall kit	\$ 1,450.00		
180° Custom made canvas wall kit to suite the 180 batwing Awning (kitchen) inc draft skirts + all windows + midgey mesh	\$ 3,500.00		
Multi media package - 19" TV/HD/DVD Media Player - Mounted on 360 Degree swing arm - Bluetooth stereo system - Surround sound speakers - AM/FM CD Receiver - 360 degree omni telescopic antenna	\$ 2,500.00		
Platinum lighting package - (2 x reading lights 2 x internal lights + 50% brighter)	\$ 750.00		
Military spec airconditioner	\$ 14,000.00		
Caravan cover	\$ 350.00		
Mesh ground sheet (5.6m x 2.4m)	\$ 249.00		
Stainless steel work bench - fits over the washer basin mount (440x490mm)	\$ 295.00		

Comments:

Base Price (inc GST):	\$ 69,030.00
Customisations:	
Total Due:	
20% Deposit:	
Balance Due:	

Dealer Representative: _____

Dealer Signature: _____

Customer Signature: _____

Payment schedule is as follows:

*\$500 holding deposit is required on date of order to secure the agreed purchasing price (customers only)

*20% deposit is required upfront to allocate stock

*Further 20% of remaining balance to be paid when the container lands in Australia (approximately 6 weeks)

*Final payment of 60% is due one week prior to pickup of trailer

*Orders cannot be changed 30 days prior to completion date

*Specifications and pricing are subject to change without prior notice

*Signatures from both the dealer and customer are required to confirm this