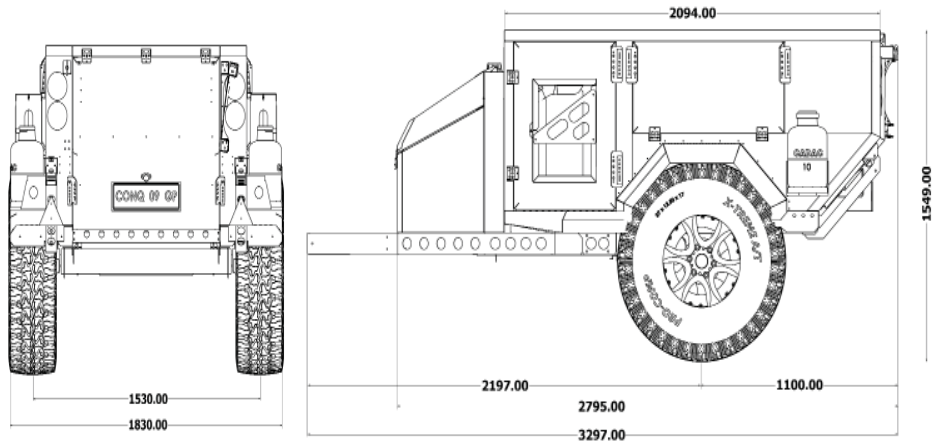


2018

SPECIFICATION SHEET

UEV-310 Mix & Match EFFECTIVE 1ST JULY 2018



Dimensions (l x w x h)
3297 x 1830 x 1549



Tare (unladen) 870kg
Ball Weight 150kg



Payload: 330kg
Aggregate Trailer Mass: 1,500kg

Standard Inclusions

CHASSIS & SUSPENSION

- › Spare wheel carrier
- › Spare wheel
- › Hot dipped galvanized chassis
- › High-lift jacking points
- › 2 x Heavy duty support legs fitted at rear
- › Mud flaps
- › LED Tail lights
- › Removable jockey wheel
- › 1.5 Tonne independent suspension
- › 50mm ALKO coupler & safety chains
- › ALKO mechanical override brakes
- › 245/70R16 x 3
- › 16inch Alloy Rims

WATER

- › Water tanks - 90L
- › Gravity fed water tap

BATTERY & POWER SYSTEMS

- › 240-12V Battery Management System
- › 15 Amp 240v charging extension lead
- › 50 Amp Anderson plug
- › 2 x USB charging outlets
- › 2 x 12V outlets

STORAGE

- › Nose box storage
- › 2 x Mil spec nato jerry can holders
- › Wolf pack frame with 4 x wolf pack boxes

- › Underbed storage shelf
- › Tent pole storage

KITCHEN & COOKING

- › Fridge sliding rail

OTHER

- › Gas strut assisted nose box and rear door
- › Smart key-a-like locks

CONQUERORAUSTRALIA.COM.AU



NEWCASTLE
02 4912 9256

NSW

QLD

TAS

VIC

WA



2018
Order Sheet



Date: _____

Delivery Month: _____

UEV-310 Mix & Match

Customer: _____

Address: _____

Tow Vehicle: _____ Year: _____

Mobile: _____

Vehicle Plug: _____

Email: _____

Optional Customisations	Price	Qty	Order
4kg gas bottle fitted on draw bar including gas bottle mount	\$ 300.00		
High pressurised water pump	\$ 299.00		
Pressurised hot/cold tap	\$ 1,050.00		
Portable auto flush toilet	\$ 449.00		
2 Way stainless steel bench, BBQ holder, twin wash basin holder	\$ 495.00		
Wash basins x 2	\$ 60.00		
600w 240v Inverter	\$ 499.00		
Ampfibian 10-15apm adaptor (waterproof with circuit breaker)	\$ 199.00		
105ah AGM Battery	\$ 597.00		
140w Fold out solar panel	\$ 595.00		
90L National Luna fridge/freezer	\$ 2,890.00		
66L Dual zone fridge/freezer	\$ 1,800.00		
Anodised BBQ grill to fit spare wheel	\$ 225.00		
2 Burner stove	\$ 180.00		
Serving table	\$ 79.00		
Cutlery, crockery & utensils set	\$ 349.00		
Caravan cover	\$ 350.00		
Mesh ground sheet (5.6m x 2.4m)	\$ 249.00		
Wolfpack box	\$ 75.00		

Comments:

	Base Price (inc GST):	\$ 20,297.00
	Customisations:	
	Total Due:	
	20% Deposit:	
	Balance Due:	

Dealer Representative: _____

Dealer Signature: _____

Customer Signature: _____

Payment schedule is as follows:

*\$500 holding deposit is required on date of order to secure the agreed purchasing price (customers only)

*20% deposit is required upfront to allocate stock

*Further 20% of remaining balance to be paid when the container lands in Australia (approximately 6 weeks)

*Final payment of 60% is due one week prior to pickup of trailer

*Orders cannot be changed 30 days prior to completion date

*Specifications and pricing are subject to change without prior notice

*Signatures from both the dealer and customer are required to confirm this